



**LUC4NE23XL**

**LUC4NE23WL**

**EN** User Manual | **Freezer**

**2**

**IS** Notendaleiðbeiningar | **Frystir**

**18**



# Welcome to Electrolux! Thank you for choosing our appliance.



Get usage advice, brochures, troubleshooting, service and repair information:  
[www.electrolux.com/support](http://www.electrolux.com/support)

Subject to change without notice.

## CONTENTS

1. SAFETY INFORMATION.....	2
2. SAFETY INSTRUCTIONS.....	4
3. INSTALLATION.....	6
4. CONTROL PANEL.....	8
5. DAILY USE.....	9
6. HINTS AND TIPS.....	11
7. CARE AND CLEANING.....	13
8. TROUBLESHOOTING.....	13
9. NOISES.....	16
10. TECHNICAL DATA.....	16
11. INFORMATION FOR TEST INSTITUTES.....	16
12. ENVIRONMENTAL CONCERNS.....	17

## 1. SAFETY INFORMATION

Before the installation and use of the appliance, carefully read the supplied instructions. The manufacturer is not responsible for any injuries or damage that are the result of incorrect installation or usage. Always keep the instructions in a safe and accessible location for future reference.

### 1.1 Children and vulnerable people safety

- This appliance can be used by children aged from 8 years and above and persons with reduced physical, sensory or mental capabilities or lack of experience and knowledge if they have been given supervision or instruction concerning the use of the appliance in a safe way and understand the hazards involved. Children aged from 3 to 8 years and persons with very extensive and complex disabilities are allowed to load and unload the appliance provided that they have been properly instructed. Children of less than 3 years

of age should be kept away from the appliance unless continuously supervised.

- Children should be supervised to ensure that they do not play with the appliance.
- Children shall not carry out cleaning and user maintenance of the appliance without supervision.
- Keep all packaging away from children and dispose of it appropriately.

## **1.2 General Safety**

- This appliance is for storing food and beverages only.
- This appliance is designed for single household domestic use in an indoor environment.
- This appliance may be used in, offices, hotel guest rooms, bed & breakfast guest rooms, farm guest houses and other similar accommodation where such use does not exceed (average) domestic usage levels.
- To avoid contamination of food respect the following instructions:
  - do not open the door for long periods;
  - clean regularly surfaces that can come in contact with food and accessible drainage systems;
- **WARNING:** Keep ventilation openings, in the appliance enclosure or in the built-in structure, clear of obstruction.
- **WARNING:** Do not use mechanical devices or other means to accelerate the defrosting process, other than those recommended by the manufacturer.
- **WARNING:** Do not damage the refrigerant circuit.
- **WARNING:** Do not use electrical appliances inside the food storage compartments of the appliance, unless they are of the type recommended by the manufacturer.
- Do not use water spray and steam to clean the appliance.
- Clean the appliance with a moist soft cloth. Only use neutral detergents. Do not use abrasive products, abrasive cleaning pads, solvents or metal objects.

- When the appliance is empty for long period, switch it off, defrost, clean, dry and leave the door open to prevent mould from developing within the appliance.
- Do not store explosive substances such as aerosol cans with a flammable propellant in this appliance.
- If the supply cord is damaged, it must be replaced by the manufacturer, its Authorised Service Centre or similarly qualified persons in order to avoid a hazard.

## 2. SAFETY INSTRUCTIONS

### 2.1 Installation

#### **WARNING!**

Only a qualified person must install this appliance.

- Remove all the packaging.
- Do not install or use a damaged appliance.
- Follow the installation instructions supplied with the appliance.
- Always take care when moving the appliance as it is heavy. Always use safety gloves and enclosed footwear.
- Make sure the air can circulate around the appliance.
- At first installation or after reversing the door wait at least 4 hours before connecting the appliance to the power supply. This is to allow the oil to flow back in the compressor.
- Before carrying out any operations on the appliance (e.g. reversing the door), remove the plug from the power socket.
- Do not install the appliance close to radiators or cookers, ovens, or hobs, unless otherwise specified in the installation instructions.
- Do not expose the appliance to the rain.
- Do not install the appliance where there is direct sunlight.
- Do not install this appliance in areas that are too humid or too cold.
- When you move the appliance, lift it by the front edge to avoid scratching the floor.

- The appliance contains a bag of desiccant. This is not a toy. This is not food. Please dispose of it immediately.

### 2.2 Electrical connection

#### **WARNING!**

Risk of fire and electric shock.

#### **WARNING!**

When positioning the appliance, ensure the supply cord is not trapped or damaged.

#### **WARNING!**

Do not use multi-plug adapters and extension cables.

- The appliance must be earthed.
- Make sure that the parameters on the rating plate are compatible with the electrical ratings of the mains power supply.
- Always use a correctly installed shockproof socket.
- Make sure not to cause damage to the electrical components (e.g. mains plug, mains cable, compressor). Contact the Authorised Service Centre or an electrician to change the electrical components.
- The mains cable must stay below the level of the mains plug.
- Connect the mains plug to the mains socket only at the end of the installation.

Make sure that there is access to the mains plug after the installation.

- Do not pull the mains cable to disconnect the appliance. Always pull the mains plug.

## 2.3 Use

### **WARNING!**

Risk of injury, burns, electric shock or fire.



The appliance contains flammable gas, isobutane (R600a), a natural gas with a high level of environmental compatibility. Be careful not to cause damage to the refrigerant circuit containing isobutane.

- Do not change the specification of this appliance.
- Do not put electrical appliances (e.g. ice cream makers) in the appliance unless they are stated applicable by the manufacturer.
- If damage occurs to the refrigerant circuit, make sure that there are no flames and sources of ignition in the room. Ventilate the room.
- Do not let hot items to touch the plastic parts of the appliance.
- Do not put soft drinks in the freezer compartment. This will create pressure on the drink container.
- Do not store flammable gas and liquid in the appliance.
- Do not put flammable products or items that are wet with flammable products in, near or on the appliance.
- Do not touch the compressor or the condenser. They are hot.
- Do not remove or touch items from the freezer compartment if your hands are wet or damp.
- Do not freeze again food that has been thawed.
- Follow the storage instructions on the packaging of frozen food.
- Wrap the food in any food contact material before putting it in the freezer compartment.
- Do not allow food to come in contact with the inner walls of the appliance compartments.

## 2.4 Care and cleaning

### **WARNING!**

Risk of injury or damage to the appliance.

- Before maintenance, deactivate the appliance and disconnect the mains plug from the mains socket.
- This appliance contains hydrocarbons in the cooling unit. Only a qualified person must do the maintenance and the recharging of the unit.

## 2.5 Service

- To repair the appliance contact the Authorised Service Centre. Use only original spare parts.
- Please note that self-repair or non-professional repair can have safety consequences and might void the guarantee.
- The following spare parts are available for at least 7 years after the model has been discontinued: thermostats, temperature sensors, printed circuit boards, light sources, door handles, door hinges, trays and baskets. Door gaskets are available for at least 10 years after the model has been discontinued. The duration may be longer in your country. For further information, please visit our website.
- Please note that some of these spare parts are only available to professional repairers, and that not all spare parts are relevant for all models.

## 2.6 Disposal

### **WARNING!**

Risk of injury or suffocation.

- Disconnect the appliance from the mains supply.
- Cut off the mains cable and discard it.
- Remove the door to prevent children and pets to be closed inside of the appliance.
- The refrigerant circuit and the insulation materials of this appliance are ozone-friendly.
- The insulation foam contains flammable gas. Contact your municipal authority for

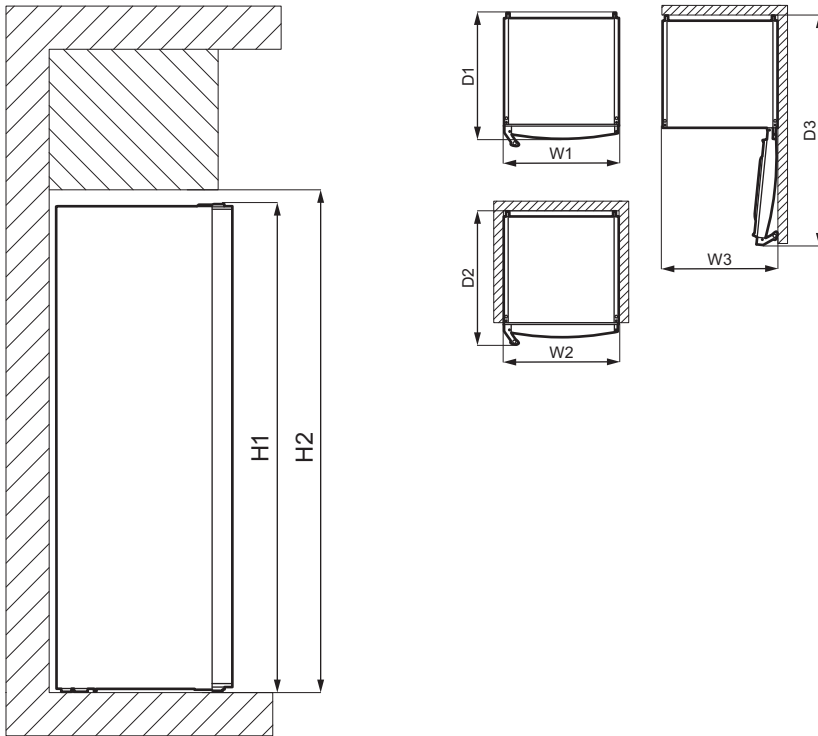
information on how to discard the appliance correctly.

- Do not cause damage to the part of the cooling unit that is near the heat exchanger.

## 3. INSTALLATION

**⚠ WARNING!**  
Refer to Safety chapters.

### 3.1 Dimensions



Overall dimensions <sup>1</sup>		
H1 *	mm	1750
W1	mm	595
D1	mm	653

<sup>1</sup> the height, width and depth of the appliance without the handle

\* including the height of the top hinge (10 mm)

Space required in use <sup>2</sup>		
H2	mm	1790
W2	mm	600
D2	mm	691

<sup>2</sup> the height, width and depth of the appliance including the handle, plus the space necessary for free circulation of the cooling air

Overall space required in use <sup>3</sup>		
H2	mm	1790
W3	mm	605
D3	mm	1193

<sup>3</sup> the height, width and depth of the appliance including the handle, plus the space necessary for free circulation of the cooling air, plus the space necessary to allow door opening to the minimum angle permitting removal of all internal equipment

## 3.2 Location



Refer to the installation instructions for the installation.

This appliance is not intended to be used as a built-in appliance.

In case of different installation from freestanding respecting space required in use dimensions, the appliance will function correctly but energy consumption might increase slightly.

To ensure appliance's best functionality, you should not install the appliance in a place with direct sunlight. Do not install the appliance close to radiators or cookers, ovens, or hobs, unless otherwise specified in the installation instructions.

Make sure that air can circulate freely around the back of the cabinet.

This appliance should be installed in a dry, well ventilated indoor position.

To ensure best performance, if the appliance is positioned below an overhanging wall unit, the minimum distance between the top of the cabinet shall be maintained. Ideally, however, the appliance should not be positioned below overhanging wall units. One or more adjustable feet at the base of the cabinet ensure that the appliance stands level.

### CAUTION!

If you position the appliance against the wall, use back spacers provided or keep the minimum distance indicated in the installation instructions.

### CAUTION!

If you install the appliance next to a wall, refer to the installation instructions to understand the minimum distance between the wall and the side of the appliance where door hinges are to provide enough space to open the door when the internal equipment is removed (e.g. when cleaning).

This appliance is intended to be used at ambient temperature ranging from 10°C to 38°C.



The correct operation of the appliance can only be guaranteed within the specified temperature range.



If you have any doubts regarding where to install the appliance, please turn to the vendor, to our customer service or to the nearest Authorised Service Centre.



It must be possible to disconnect the appliance from the mains power supply. The plug must therefore be easily accessible after installation.

## 3.3 Electrical connection

- Before plugging in, ensure that the voltage and frequency shown on the rating plate correspond to your domestic power supply.

- The appliance must be earthed. The power supply cable plug is provided with a contact for this purpose. If the domestic power supply socket is not earthed, connect the appliance to a separate earth in compliance with current regulations, consulting a qualified electrician.
- The manufacturer declines all responsibility if the above safety precautions are not observed.

### 3.4 Door reversibility

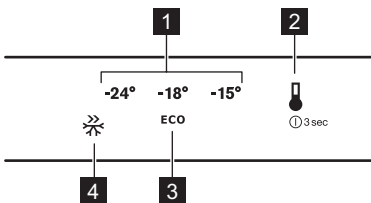
Please refer to the separate document with instructions on installation and door reversal.

#### CAUTION!

At every stage of reversing the door protect the floor from scratching with a durable material.

## 4. CONTROL PANEL

### 4.1 Display



- 1** Temperature scale
- 2** Temperature key
- 3** ECO mode icon
- 4** FastFreeze icon

### 4.2 Switching on

1. Plug the appliance into electrical mains socket.
2. To turn on the appliance, touch the temperature key. All LED indicators light up.

The temperature is set to the default setting (ECO mode). LED indicator next to ECO mode icon illuminates.

### 4.3 Switching off

1. To switch off the appliance press the temperature key for 3 seconds. All LED indicators turn off.
2. To disconnect the appliance from the electrical supply, remove the mains plug from the power socket.

### 4.4 Temperature regulation

To regulate the temperature, press the temperature key. Every time the key is pressed, the set temperature moves by one

position and corresponding LED indicator lights up. Press the temperature key repeatedly until the required temperature is selected. The setting will be fixed.



Selection is progressive, varying from -15°C to -24°C. Recommended setting is -18°C. You can activate it also by ECO mode.

The set temperature will be reached within 24 hours. After a power failure the set temperature remains stored.

### 4.5 ECO mode

In this mode the temperature is set to -18°C.



This is the best setting to ensure good food preservation with minimal energy consumption.

To activate ECO mode press the temperature key repeatedly until LED indicator next to ECO mode icon lights up.

### 4.6 FastFreeze function

This function is used to perform pre-freezing and fast freezing in sequence in the freezer compartment. It accelerates the freezing of fresh food and, at the same time, protects food products already stored in the compartment from undesirable warming.





To freeze fresh food activate the function at least 24 hours before placing the food in the compartment to complete pre-freezing step.

To activate this function press the temperature key repeatedly until the LED indicator next to FastFreeze icon lights up.



This function stops automatically after 52 hours. When the function deactivates, the previous temperature setting is restored. You can deactivate this function at any time by pressing the temperature key and choosing a new temperature setting.

### 4.7 Door open alarm

If the door has been left open for approximately 90 seconds, the door open alarm activates. The LED indicator of the currently set temperature flashes and the sound is on.

To turn the sound off press the temperature key.

You can deactivate this alarm by closing the door.

If you do not press the key and do not close the door, the sound switches off automatically after approximately one hour to avoid disturbing.

### 4.8 High temperature alarm

An increase in the temperature in the freezer compartment (for example due to an earlier power failure or opening of the door) activates the high temperature alarm. The LED indicator of the currently set temperature flashes and the sound is on.

To turn the sound off press the temperature key (if a temperature has not yet been restored the temperature indicator keeps flashing).

If temperature is restored and you press the temperature key, the temperature indicator stops flashing.

If you do not press the key, the sound switches off automatically after approximately around one hour to avoid disturbing.

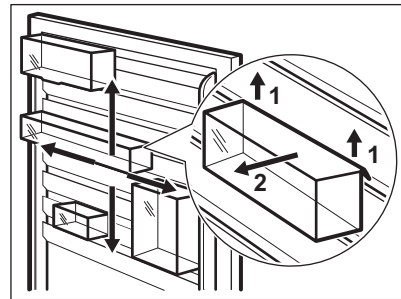
## 5. DAILY USE

### 5.1 Positioning door shelves

The door of this appliance is equipped with runners that enable shelves/bins to be arranged according to individual preferences.

To reposition the door shelves/bins:

1. Gradually lift the shelf/bin in the direction of the arrows until it comes free.
2. Place the shelf/bin in desired position and gently insert it into the runner.



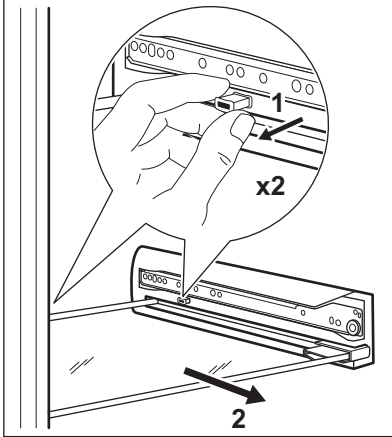
### 5.2 Removing glass shelves

This appliance is equipped with glass shelves separating the drawers.

To remove a glass shelf:

1. Remove surrounding drawers (refer to "Removing drawers").

2. Pull out locking pins on both sides of the shelf (1).
3. Pull the glass shelf outwards (2).



To put the glass shelf back follow the above steps in reverse order.



#### CAUTION!

When pushing in the locking pins make sure to insert them fully in their place.

### 5.3 Freezing fresh food

The freezer compartment is suitable for freezing fresh food and storing frozen and deep-frozen food for a long time.

To freeze fresh food activate the FastFreeze function at least 24 hours before placing the food to be frozen in the freezer compartment.

Store the fresh food evenly distributed in the seventh compartment or drawer from the top.

The maximum amount of food that can be frozen without adding other fresh food during 24 hours is specified on the rating plate (a label located inside the appliance).

When the freezing process is complete, the appliance automatically returns to the previous temperature setting (see "FastFreeze function").

For more information refer to "Hints for freezing".

### 5.4 Storage of frozen food

When activating an appliance for the first time or after a period out of use, before putting the products in the compartment let the appliance run at least 3 hours with the FastFreeze function switched on.

The freezer drawers ensure that it is quick and easy to find the food package you want.

Keep the food no closer than 15 mm from the door.



#### CAUTION!

In the event of accidental defrosting, for example due to a power failure, if the power has been off for longer than the value shown on rating plate under "rising time", the defrosted food must be consumed quickly or cooked immediately then cooled and then re-frozen. Refer to "High temperature alarm".

### 5.5 Thawing

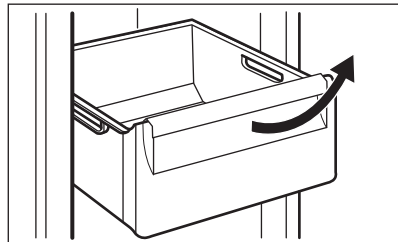
Deep-frozen or frozen food, prior to being consumed, can be thawed in the refrigerator or inside a plastic bag under cold water.

This operation depends on the time available and on the type of food. Small pieces may even be cooked still frozen.

### 5.6 Removing drawers

To remove a drawer from a compartment:

1. Pull the drawer out until it stops.
2. Once you reach the end of the runners, lift slightly the front of the drawer and remove it from the appliance.



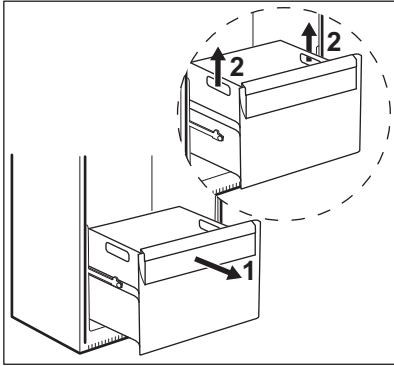
To put the drawer into a compartment, follow the above steps in reverse order.

## 5.7 Removing drawers

The large bottom drawer is equipped with telescopic rails that extend outside the appliance.

To remove this drawer:

1. Pull the drawer out until the telescopic rails fully extend.
2. When the drawer reaches the end of the rails, lift it up by its handles and detach it from the rails.



To insert the drawer back:

1. Extend the rails fully.
2. Insert the drawer between the rails.
3. Attach the drawer onto the telescopic rails.

## 6. HINTS AND TIPS

### 6.1 Hints for energy saving

- The internal configuration of the appliance is the one that ensures the most efficient use of energy.
- Do not open the door frequently or leave it open longer than necessary.
- The colder the temperature setting, the higher the energy consumption.
- Ensure a good ventilation. Do not cover the ventilation grilles or holes.
- Make sure that food products inside the appliance allow air circulation through dedicated holes in the rear interior of the appliance.

### 6.2 Hints for freezing


- Activate FastFreeze function at least 24 hours before placing the food inside the freezer compartment.
- Before freezing wrap and seal fresh food in: aluminium foil, plastic film or bags, airtight containers with lid.

- For more efficient freezing and thawing divide food into small portions.
- It is recommended to put labels and dates on all your frozen food. This will help to identify foods and to know when they should be used before their deterioration.
- The food should be fresh when being frozen to preserve good quality. Especially fruits and vegetables should be frozen after the harvest to preserve all of their nutrients.
- Do not freeze bottles or cans with liquids, in particular drinks containing carbon dioxide - they may explode during freezing.
- Do not put hot food in the freezer compartment. Cool it down at room temperature before placing it inside the compartment.
- To avoid increase in temperature of already frozen food, do not place fresh unfrozen food directly next to it. Place food at room temperature in the part of the

freezer compartment where there is no frozen food.

- Do not eat ice cubes, water ices or ice lollies immediately after taking them out of the freezer. Risk of frostbites.
- Do not re-freeze defrosted food. If the food has defrosted, cook it, cool it down and then freeze it.

### 6.3 Hints for storage of frozen food

- Freezer compartment is the one marked with .
- Good temperature setting that ensures preservation of frozen food products is a temperature less than or equal to  $-18^{\circ}\text{C}$ . Higher temperature setting inside the appliance may lead to shorter shelf life.
- The whole freezer compartment is suitable for storage of frozen food products.
- Leave enough space around the food to allow air to circulate freely.
- For adequate storage refer to food packaging label to see the shelf life of food.

### 6.5 Shelf life

Type of food	Shelf life (months)
Bread	3
Fruits (except citrus)	6 - 12
Vegetables	8 - 10
Leftovers without meat	1 - 2
<b>Dairy food:</b>	
Butter	6 - 9
Soft cheese (e.g. mozzarella)	3 - 4
Hard cheese (e.g. parmesan, cheddar)	6
<b>Seafood:</b>	
Fatty fish (e.g. salmon, mackerel)	2 - 3
Lean fish (e.g. cod, flounder)	4 - 6
Shrimps	12
Shucked clams and mussels	3 - 4
Cooked fish	1 - 2
<b>Meat:</b>	

- It is important to wrap the food in such a way that prevents water, humidity or condensation from getting inside.

### 6.4 Shopping tips

After grocery shopping:

- Ensure that the packaging is not damaged - the food could be deteriorated. If the package is swollen or wet, it might have not been stored in the optimal conditions and defrosting may have already started.
- To limit the defrosting process buy frozen goods at the end of your grocery shopping and transport them in a thermal and insulated cool bag.
- Place the frozen foods immediately in the freezer after coming back from the shop.
- If food has defrosted even partially, do not re-freeze it. Consume it as soon as possible.
- Respect the expiry date and the storage information on the package.

Type of food	Shelf life (months)
Poultry	9 - 12
Beef	6 - 12
Pork	4 - 6
Lamb	6 - 9
Sausage	1 - 2
Ham	1 - 2
Leftovers with meat	2 - 3

## 7. CARE AND CLEANING

### **WARNING!**

Refer to Safety chapters.

### 7.1 Cleaning the interior

Before using the appliance for the first time, the interior and all internal accessories should be washed with lukewarm water and some neutral soap to remove the typical smell of a brand-new product, then dried thoroughly.

### **CAUTION!**

Do not use detergents, abrasive powders, chlorine or oil-based cleaners as they will damage the finish.

### **CAUTION!**

The accessories and parts of the appliance are not suitable for washing in a dishwasher.

### 7.2 Periodic cleaning

The equipment has to be cleaned regularly:

1. Clean the inside and accessories with lukewarm water and some neutral soap.
2. Regularly check the door seals and wipe them clean to ensure they are clean and free from debris.
3. Rinse and dry thoroughly.

### 7.3 Defrosting of the freezer

The freezer compartment is frost free. This means that there is no build up of frost when it is in operation, neither on the internal walls, nor on the foods.

### 7.4 Period of non-operation

When the appliance is not in use for long period, take the following precautions:

1. Disconnect the appliance from electricity supply.
2. Remove all food.
3. Clean the appliance and all accessories.
4. Leave the door open to prevent unpleasant smells.

## 8. TROUBLESHOOTING

### **WARNING!**

Refer to Safety chapters.

### 8.1 What to do if...

Problem	Possible cause	Solution
The appliance does not operate.	The appliance is switched off.	Switch on the appliance.

<b>Problem</b>	<b>Possible cause</b>	<b>Solution</b>
	The mains plug is not connected to the mains socket correctly.	Connect the mains plug to the mains socket correctly.
	There is no voltage in the mains socket.	Connect a different electrical appliance to the mains socket. Contact a qualified electrician.
The appliance is noisy.	The appliance is not supported properly.	Check if the appliance stands stable.
Acoustic or visual alarm is on.	The cabinet has been recently switched on.	Refer to "High temperature alarm" or "Door open alarm".
	The temperature in the appliance is too high.	Refer to "High temperature alarm" or "Door open alarm".
	The door is left open.	Close the door.
The compressor operates continually.	Temperature is set incorrectly.	Refer to "Control panel" chapter.
	Too much food is put in at the same time.	Wait a few hours and then check the temperature again.
	The room temperature is too high.	Refer to "Installation" chapter.
	Food placed in the appliance is too warm.	Allow food to cool to room temperature before storing.
	The door is not closed correctly.	Refer to "Closing the door" section.
	The FastFreeze function is switched on.	Refer to "FastFreeze function" section.
The compressor does not start immediately after pressing the "FastFreeze", or after changing the temperature.	The compressor starts after a period of time.	This is normal, no error has occurred.
Door is misaligned or interferes with ventilation grill.	The appliance is not levelled.	Refer to installation instructions.
Door does not open easily.	You attempted to re-open the door immediately after closing.	Wait at least 30 seconds between closing and re-opening of the door.
Side panels of the appliance are warm.	This is a normal state caused by operation of the heat exchanger.	
There is too much frost and ice.	The door is not closed correctly.	Refer to "Closing the door" section.
	The gasket is deformed or dirty.	Refer to "Closing the door" section.
	Food is not wrapped properly.	Wrap the food properly.
	Temperature is set incorrectly.	Refer to "Control panel" chapter.
	Appliance is fully loaded and is set to the lowest temperature.	Set a higher temperature. Refer to "Control panel" chapter.
	Temperature set in the appliance is too low and the ambient temperature is too high.	Set a higher temperature. Refer to "Control panel" chapter.

Problem	Possible cause	Solution
Water flows on the floor.	The melting water outlet is not connected to the evaporative tray above the compressor.	Attach the melting water outlet to the evaporative tray.
Temperature cannot be set.	The FastFreeze function is switched on.	Switch off FastFreeze function manually, or wait until it deactivates automatically. Refer to "FastFreeze function" section.
The temperature in the appliance is too low/too high.	The temperature is not set correctly.	Set a higher/lower temperature.
	The door is not closed correctly.	Refer to the "Closing the door" section.
	The food is too hot.	Let the food cool down before storage.
	Too much food is stored at the same time.	Store less food at the same time.
	The door has been opened often.	Open the door only if necessary.
	The FastFreeze function is switched on.	Refer to the "FastFreeze function" section.
	There is no cold air circulation in the appliance.	Ensure cold air circulation in the appliance. Refer to the "Hints and tips" chapter.
Temperature setting LEDs flash at the same time.	An error has occurred in measuring the temperature.	Contact the Authorised Service Centre. The cooling system will continue to keep food cold, but temperature adjustment will not be possible.



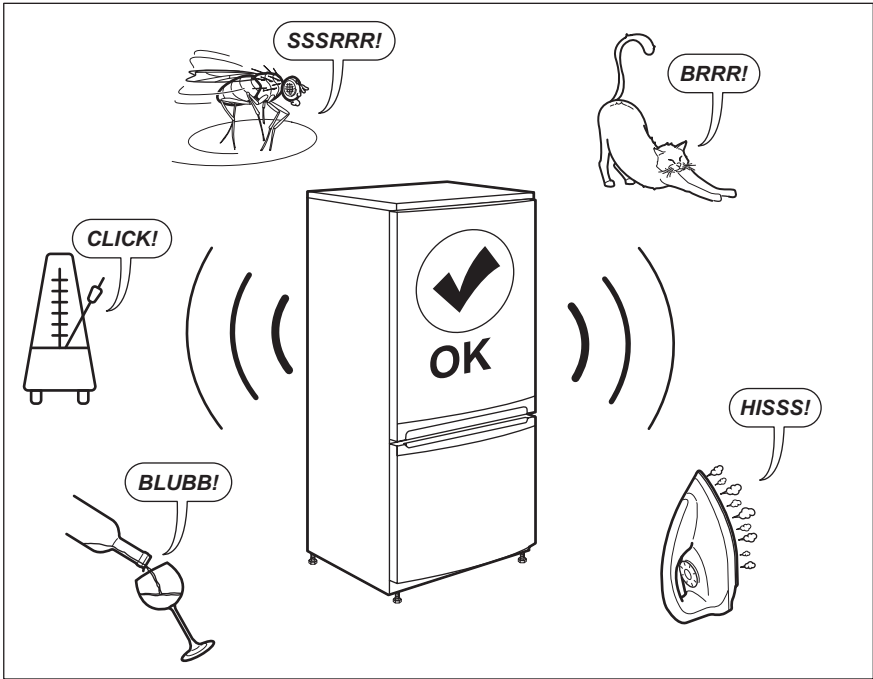
If the problem persists, contact the Authorised Service Centre.

## 8.2 Closing the door

1. Clean the door gaskets.

2. If necessary, adjust the door. Refer to installation instructions.
3. If necessary, replace the defective door gaskets. Contact the Authorised Service Centre.

## 9. NOISES



## 10. TECHNICAL DATA

The technical information is situated in the rating plate on the internal side of the appliance and on the energy label.

The QR code on the energy label supplied with the appliance provides a web link to the information related to the performance of the appliance in the EU EPREL database. Keep the energy label for reference together with the user manual and all other documents provided with this appliance.

It is also possible to find the same information in EPREL using the link <https://eprel.ec.europa.eu> and the model name and product number that you find on the rating plate of the appliance.

See the link [www.theenergylabel.eu](http://www.theenergylabel.eu) for detailed information about the energy label.


## 11. INFORMATION FOR TEST INSTITUTES


Installation and preparation of the appliance for any EcoDesign verification shall be compliant with EN 62552 (EU). Ventilation requirements, recess dimensions and

minimum rear clearances shall be as stated in this User Manual in "Installation". Please contact the manufacturer for any other further information, including loading plans.



## 12. ENVIRONMENTAL CONCERNS

Recycle materials with the symbol . Put the packaging in relevant containers to recycle it. Help protect the environment and human health by recycling waste of electrical and electronic appliances. Do not dispose of

appliances marked with the symbol  with the household waste. Return the product to your local recycling facility or contact your municipal office.

# Velkomin til Electrolux! Þakka þér fyrir að velja heimilistækið okkar.



Fá leiðbeiningar um notkun, bæklinga, bilanaleit, þjónustu- og viðgerðarupplýsingar.  
[www.electrolux.com/support](http://www.electrolux.com/support)

Með fyrirvara á breytingum.

## EFNISYFIRLIT

1. ÖRYGGISUPPLÝSINGAR.....	18
2. ÖRYGGISLEIÐBEININGAR.....	20
3. UPPSETNING.....	22
4. STJÓRNBOÐ.....	24
5. DAGLEG NOTKUN.....	25
6. ÁBENDINGAR OG GÓÐ RÁÐ.....	27
7. UMHIRÐA OG HREINSUN.....	29
8. BILANALET.....	29
9. HÁVAÐI.....	32
10. TÆKNILEGAR UPPLÝSINGAR.....	32
11. UPPLÝSINGAR FYRIR PRÓFUNARSTOFNANIR.....	32
12. UMHVERFISMÁL.....	33

## 1. ⚠ ÖRYGGISUPPLÝSINGAR

Fyrir uppsetningu og notkun heimilistækisins skal lesa meðfylgjandi leiðbeiningar vandlega. Framleiðandinn ber ekki ábyrgð á neinum meiðslum eða skemmdum sem leiða af rangri uppsetningu eða notkun. Geymdu alltaf leiðbeiningarnar á öruggum stað þar sem auðvelt er að nálgast þær til síðari notkunar.

### 1.1 Öryggi barna og viðkvæmra einstaklinga

- Börn, 8 ára og eldri og fólk með minnkaða líkamlega-, skyn- eða andlega getu, eða sem skortir reynslu og þekkingu, mega nota þetta tæki, ef þau eru undir eftirliti eða hafa verið veittar leiðbeiningar varðandi örugga notkun tækisins og ef þau skilja hættuna sem því fylgir. Börn á aldrinum 3 til 8 ára og einstaklingar með mjög mikla og flókna fötlun er leyfilegt að setja í og taka úr heimilistækinu, að því tilskildu að þau hafi fengið almennilegar leiðbeiningar. Halda ætti börnum

yngri en 3 ára frá heimilistækinu nema þau séu undir stöðugu eftirliti.

- Hafa ætti eftirlit með börnum til að tryggja að þau leiki sér ekki með heimilistækið.
- Börn eiga ekki að hreinsa eða framkvæma notandaviðhald á heimilistækinu án eftirlits.
- Haltu öllum umbúðum frá börnum og fargaðu þeim á viðeigandi hátt.

## 1.2 Almenn öryggi

- Þetta heimilistæki er eingöngu fyrir geymslu á matvörum og drykkjum.
- Þetta heimilistæki er hannað til notkunar innanhúss á heimilum.
- Þetta heimilistæki má nota á skrifstofum, í herbergjum hótela, herbergjum gestahúsa, bændagistingum og öðrum sambærilegum gistirýmum þar sem notkun er ekki meiri en almenn heimilisnotkun.
- Til að forðast spillingu matvæla skal virða eftirfarandi leiðbeiningar:
  - Hafðu hurðina ekki opna um lengri tíma;
  - hreinsaðu reglubundið fleti sem geta komist í snertingu við matvæli og aðgengileg frárennsliskerfi;
- VIÐVÖRUN: Haltu loftræstingaropum, í afgirðingu heimilistækisins eða í innbyggðu rými, lausu við hindranir.
- VIÐVÖRUN: Notaðu ekki vélrænan búnað eða aðrar aðferðir til að hraða afísunarferli, annan en þann sem framleiðandinn mælir með.
- VIÐVÖRUN: Skemmdu ekki kælimiðilsrásina.
- VIÐVÖRUN: Notaðu ekki rafmagnstæki inni í geymsluhólfum matvæla í heimilistækinu, nema þau séu af þeirri tegund sem framleiðandinn mælir með.
- Notaðu ekki vatnsúða og gufu til að hreinsa heimilistækið.
- Hreinsaðu heimilistækið með mjúkum rökum klút. Notaðu aðeins hlutlaus þvottaefni. Notaðu ekki neinar vörur með svarfefnum, stálull, leysiefni eða málmhluti.

- Þegar heimilistækið er tómt um lengri tíma skal slökkva á því, afísa, hreinsa, þurrka og skilja hurðina eftir opna til að koma í veg fyrir að mygla myndist inni í tækinu.
- Geymdu ekki sprengifim efni eins og úðabrúsa með eldfimu drifefni í þessu heimilistæki.
- Ef rafmagnssnúran er skemmd verður framleiðandi, viðurkennd þjónustumiðstöð, eða svipað hæfur aðili að endurnýja hana til að forðast hættu.

## 2. ÖRYGGISLEIÐBEININGAR

### 2.1 Upsetning

#### **AÐVÖRUN!**

Einungis löggildur aðili má setja upp þetta heimilistæki.

- Fjarlægðu allar umbúðir.
- Ekki setja upp eða nota skemmt heimilistæki.
- Fylgdu leiðbeiningum um uppsetningu sem fylgja með heimilistækinu.
- Alltaf skal sýna aðgát þegar heimilistækið er fært vegna þess að það er þungt. Notaðu alltaf öryggishanska og lokaðan skóbúnað.
- Gakktu úr skugga um að að loft geti flætt í kringum heimilistækið.
- Við fyrstu uppsetningu eða eftir að hurðinni hefur verið snúið skal bíða í að minnsta kosti 4 klukkustundir áður en heimilistækið er tengt við rafmagn. Þetta er til að olían nái að flæða aftur í þjöppuna.
- Áður en þú framkvæmir einhverjar aðgerðir á heimilistækinu (t.d. snýrð við hurðinni) skaltu taka klóna úr rafmagnsinnstungunni.
- Ekki setja heimilistækið upp nálægt hitagjöfum (ofnum) eða eldavélum, bókunarofnum eða helluborðum, nema annað sé tekið fram í leiðbeiningum um uppsetningu.
- Ekki hafa heimilistækið berskjaldað gagnvart rigningu.
- Ekki setja heimilistækið upp þar sem það verður fyrir beinu sólarljósi.

- Ekki setja þetta heimilistæki upp á svæðum þar sem er of mikill raki eða of kalt.
- Þegar þú færir til heimilistækið, skaltu lyfta brúninni að framan til að koma í veg fyrir að þú rispir gólfíð.
- Heimilistækið inniheldur poka af þurrkefni. Þetta er ekki leikfang. Þetta er ekki matvara. Vinsamlegast fargaðu því samstundis.

### 2.2 Rafmagnstenging

#### **AÐVÖRUN!**

Hætta á eldi og raflosti.

#### **AÐVÖRUN!**

Þegar heimilistækið er staðsett skaltu tryggja að rafmagnssnúran sé hvorki klemmd né skemmd.

#### **AÐVÖRUN!**

Notaðu ekki fjöltengi eða framlengingarsnúru.

- Heimilistækið verður að vera jarðtengt.
- Gakktu úr skugga um að færribreyturnar á merkjaplötunni séu samhæfar við rafmagnsflokkun aðalæðar afgjafa.
- Notaðu alltaf rétt ísetta innstungu sem ekki veldur raflosti.
- Gakktu úr skugga um að rafmagnsihlutir verði ekki fyrir skemmdum (t.d. rafmagnsklóin, snúran, þjappan). Hafa skal samband við viðurkenna

þjónustumiðstöð eða rafvirkja til að skipta um rafmagnsíhluti.

- Rafmagnssnúran verður að liggja neðar en rafmagnsklóin.
- Aðeins skal tengja rafmagnsklóna við rafmagnsinnstunguna í lok uppsetningarinnar. Gakktu úr skugga um að rafmagnsklóin sé aðgengileg eftir uppsetningu.
- Ekki toga í snúruna til að taka tækið úr sambandi. Taktu alltaf um klóna.

## 2.3 Notkun

### AÐVÖRUN!

Hætta á meiðslum, bruna, raflosti eða eldsvoða.



Heimilistækið inniheldur eldfimt gas, ísóbútan (R600a), náttúrulegt gas, sem er mjög umhverfisvænt. Gættu þess að valda ekki skaða á kælrásinni sem inniheldur ísóbútan.

- Breytið ekki eiginleikum heimilistækisins.
- Ekki láta rafmagnstæki (s.s. ísgerðarvélur) í tækið nema það sé tekið fram af framleiðanda að þau þoli það.
- Ef rafrásir kælibúnaðarins skemmast skal gæta þess að það sé enginn logi eða kveikjugjafar í herberginu. Loftræstu herbergið.
- Ekki láta heita hluti snerta þá hluta heimilistækisins sem eru úr plasti.
- Ekki setja gosdrykki í frystihólfíð. Við það myndast þrýstingur innan í drykkjarílátinu.
- Ekki nota heimilistækið til að geyma eldfimar lofttegundir eða vökva.
- Setjið ekki eldfim efni eða hluti bleytta með eldfimum efnum í, nálægt, eða á heimilistækið.
- Ekki snerta þjöppuna eða þéttinn. Þau eru heit.
- Ekki fjarlægja eða snerta hluti úr frystihólfinu ef hendur þínar eru rakar eða blautar.
- Ekki endurfrysta mat sem búið er að þíða.
- Fylgdu geymsluleiðbeiningunum á umbúðum frystra matvæla.
- Vefðu matnum inn áður en þú setur hann í frystihólfíð.

- Leyfið ekki matvælum að komast í snertingu við innri veggj heimilistækishólfanna.

## 2.4 Umhirða og hreinsun

### AÐVÖRUN!

Hætta á meiðslum eða skemmdum á heimilistækinu.

- Áður en viðhald fer fram skal slökkva á heimilistækinu og aftengja rafmagnsklóna frá rafmagnsinnstungunni.
- Þetta heimilistæki inniheldur vetniskolefni í kælibúnaðinum. Einungis hæfur aðili má sinna viðhaldi og endurhleðslu þessa tækis.

## 2.5 Þjónusta

- Hafðu samband við viðurkenda þjónustumiðstöð til að gera við heimilistækið. Nota skal eingöngu upprunalega varahluti.
- Vinsamlegast athugaðu að ef þú eða einhver sem ekki er fagmaður gerir við getur það haft afleiðingar varðandi öryggi og gæti ógilt ábyrgðina.
- Eftirfarandi varahlutir eru fánægir í að minnsta kosti 7 ár eftir að framleiðslu gerðarinnar hefur verið hætt: hitastillar, hitaskynjarar, prentplötur, ljósgjafar, hurðahandföng, hurðalamir, bakkar og grindur. Hurðapéttingar eru fánægir í að minnsta kosti 10 ár eftir að framleiðslu gerðarinnar hefur verið hætt. Verið gæti að tímalengdin sé ekki lengur fánæg í þínu landi. Farðu á vefsíðu okkar fyrir frekari upplýsingar.
- Vinsamlegast athugaðu að suma þessara varahluta geta aðeins atvinnuviðgerðaraðilar fengið og ekki eru allir varahlutir viðeigandi fyrir allar gerðir.

## 2.6 Förgun

### AÐVÖRUN!

Hætta á meiðslum eða köfnun.

- Aftengið heimilistækið frá rafmagnsgjafanum.
- Klippa rafmagnssnúruna af og flegið henni.

- Fjarlægjið hurðina til að koma í veg fyrir að börn eða dýr geti lokast inni í tækinu.
- Kælirásin og einangrunarefnið á tækinu eru ósónvæn.
- Einangrunarfroðan inniheldur eldfimar lofttegundir. Hafið samband við

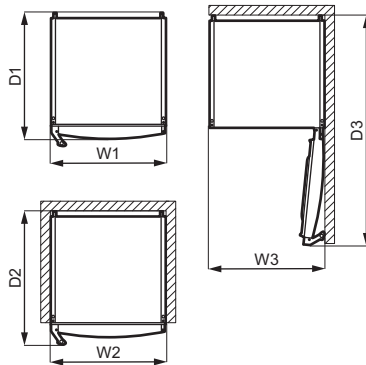
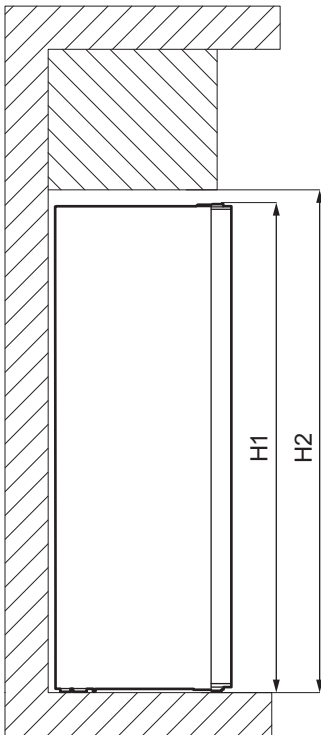
- sveitarfélagið til að fá upplýsingar um hvernig á að farga heimilistækinu á réttan hátt.
- Ekki valda skaða á hluta kælieiningarinnar sem er nálægt hitaskiptinum.

### 3. UPPSETNING

#### ⚠ **ADVÖRUN!**

Sjá kafla um öryggismál.

#### 3.1 Mál



#### Heildarmál <sup>1</sup>

H1 *	mm	1750
W1	mm	595

#### Heildarmál <sup>1</sup>

D1	mm	653
----	----	-----

<sup>1</sup> hæð, breidd og dýpt heimilistækisins án handfangs

\* ásamt hæð efstu hurðalamanna (10 mm)

Svæði sem þarf til notkunar <sup>2</sup>		
H2	mm	1790
W2	mm	600
D2	mm	691

<sup>2</sup> hæð, breidd og dýpt heimilistækisins ásamt handfangi, auk rýmisins sem þarf til að tryggja rétt loftflæði fyrir kæli loft

Heildarsvæði sem þarf til notkunar <sup>3</sup>		
H2	mm	1790
W3	mm	605
D3	mm	1193

<sup>3</sup> hæð, breidd og dýpt heimilistækisins ásamt handfangi, auk rýmisins sem þarf til að tryggja rétt loftflæði fyrir kæli loft, auk svæðisins sem nauðsynlegt er svo að hurðin geti opnast við lágmarkshorn sem nauðsynlegt er til að fjarlægja allan innri búnað

## 3.2 Staðsetning



Sjá uppsetningarleiðbeiningar varðandi uppsetningu.

Þetta heimilistæki er ekki ætlað til þess að vera innbyggð.

Ef tækið er sett upp með öðrum hætti en frístandandi og með tilliti til notkunar svæðis, mun heimilistækið virka rétt en orkunotkun gæti aukist nokkuð.

Til að tryggja rétta virkni heimilistækisins, ætti ekki að setja það upp á stað þar sem heimilistækið verður fyrir beinu sólarljósi. Ekki setja heimilistækið upp nálægt hitagjöfum (ofnum) eða eldavélum, bökunarofnum eða helluborðum, nema annað sé tekið fram í leiðbeiningum um uppsetningu.

Gakktu úr skugga um að loftflæði sé gott aftan við skápinn.

Tækið á að setja upp á þurrum, vel loftræstum stað innandyra.

Til að tryggja bestu frammistöðu heimilistækisins, ef tækið er staðsett fyrir neðan útskagandi veggeiningu, er nauðsynlegt að viðhalda lágmarksfjarlægð við efsta hluta skápsins. Hins vegar ætti heimilistækið helst ekki að vera staðsett undir útskagandi veggeiningum. Einn eða fleiri stillanlegir fætur á undirstöðu skápsins tryggja að heimilistækið sé stöðugt.

### ⚠ VARÚÐ!

Ef þú staðsetur heimilistækið upp við vegg, skaltu nota meðfylgjandi millistykki fyrir bakið til að viðhalda þeirri lágmarksfjarlægð sem tilgreind er í uppsetningarleiðbeiningunum.

### ⚠ VARÚÐ!

Ef þú setur heimilistækið upp við vegg, skaltu skoða uppsetningarleiðbeiningarnar til að átta þig á nauðsynlegri lágmarksfjarlægð á milli veggisins og hliða tækisins, þar sem hurðahjarimar eru hugsaðar til að veita hurðinni nægilegt pláss þegar verið er að fjarlægja innri einingar (t.d. við þrif).

Þetta tæki er ætlað til notkunar við umhverfishita á bilinu 10°C til 38°C.



Eingöngu er hægt að ábyrgjast rétta virkni heimilistækisins sé það notað á þessu hitabili.



Ef þú hefur einhverjar efasemdir varðandi uppsetningu heimilistækisins, skaltu vinsamlegast ráðfæra þig við seljanda, þjónustuverið okkar eða næstu viðurkenndu þjónustumiðstöð.



Það verður að vera hægt að taka heimilistækið úr sambandi við rafmagn. Innstungan verður því að vera aðgengileg eftir uppsetningu.

### 3.3 Rafmagnstenging

- Áður en stungið er í samband, þarf að ganga úr skugga um að sú spenna og tíðni sem sýnd eru á merkiplötunna samræmist heimilisrafmagninu.
- Heimilistækið verður að vera jarðtengt. Kló rafmangssnúrunnar er með snertu sem er ætluð til þess. Ef innstungan á heimilinu er ekki jarðtengt, þarf að jarðtengja heimilistækið í aðskilda jörð til að uppfylla núgildandi reglugerðir. Hafið samband við fagmenntaðan rafvirkja.
- Framleiðandi hafnar allri ábyrgð ef ofangreindum öryggisráðstöfunum er ekki fylgt.

### 3.4 Viðsnúningur hurðar

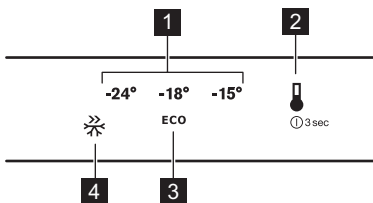
Vinsamlegast skoðaðu sérstakt skjal með leiðbeiningum um uppsetningu og viðsnúning hurðar.

#### ⚠ VARÚÐ!

Við hvert þrep í viðsnúningi hurðar skal gæta þess að verja gólfíð gegn rispum, með slitsterku efni.

## 4. STJÓRNBORÐ

### 4.1 Skjár



- 1 Hitakvarði
- 2 Hitastigstakki
- 3 Tákn fyrir ECO-ham
- 4 FastFreeze Tákn

### 4.2 Kveikt á

1. Settu heimilistækið í samband við rafmagnsinnstungu.
2. Til að kveikja á heimilistækinu skal snerta hitastigstakkann. Það kviknar á öllum LED vísum.

Hitastigið er stillt á sjálfgefna stillingu (ECO-hamur). LED vísirinn við hlið táknins fyrir ECO-ham lýsir.

### 4.3 Slökkva

1. Til að slökkva á heimilistækinu skal ýta á hitastigstakkann í 3 sekúndur. Allir ljósdíóðuvísar slökkna.

2. Til að aftengja heimilistækið frá rafmagninu skal taka rafmagnsklóna úr rafmagnsinnstungunni.

### 4.4 Hitastilling

Til að stjórna hitastiginu skaltu ýta á hitastigstakkann. Í hvert sinn sem ýtt er á takkann færast innstillt hitastig um eina stöðu og samsvarandi ljósdíóðuvísir kviknar. Ýttu endurtekið á hitastigstakkann þar til óskað hitastig er valið. Stillingin verður fest.

#### i

Valið er stigvaxandi, og breytilegt frá -15 °C upp í -24 °C. Ráðlögð stilling er -18 °C. Þú getur einnig virkjað hana með ECO-ham.

Hitastillingunni þarf að ná innan sólarhrings. Eftir rafmagnsleysi helst stillt hitastig vistað.

### 4.5 ECO-hamur

Í þessum ham er hitastigið stillt á -18°C.

#### i

Þetta er besta stillingin til að tryggja góða varðveislu matvæla með lágmarksorknotkun.

Til að virkja ECO-haminn skaltu ýta endurtekið á hitastigstakkann þar til LED-vísirinn við hliðina á táknu fyrir ECO-haminn kviknar.



## 4.6 FastFreeze aðgerð

Þessi aðgerð er notuð til að forfrysta og hraðfrysta í réttu röð í frystihólfinu. Aðgerðin hraðar frystingu ferskra matvæla og ver um leið matvæli sem þegar eru geymd í frystihólfinu gegn óæskilegri hitnun.



Til að frysta fersk matvæli skal virkja þessa aðgerð að minnsta kosti 24 klst. áður en maturinn sem á að forfrysta er settur í frystihólfid.

Til að virkja þessa aðgerð skaltu ýta endurtekið á hitastigstakkann, þar til ljósdíóðuvísirinn (LED) við hlið FastFreeze tákmyndarinnar kviknar.



Þessi aðgerð stöðvast sjálfkrafa eftir 52 klukkustundir. Þegar aðgerðin er afvirkjuð er fyrri stilling hitastigs endurreist. Þú getur afvirkjað þessa aðgerð hvenær sem er með því að ýta á hitastigstakkann og velja nýja stilling hitastigs.

## 4.7 Aðvörun fyrir opna hurð

Ef hurðin hefur verið skilin eftir opin í um það bil 90 sekúndur fer viðvörun um opna hurð í

gang. Ljósdíóðuvísirinn fyrir núverandi innstillt hitastig blikkar og hljóð heyrst.

Til að slökkva á hljóðinu skaltu ýta á hitastigstakkann.

Þú getur afvirkjað þessa viðvörun með því að loka hurðinni.

Ef þú ýtir ekki á takkann og lokar ekki hurðinni mun hljóðið slökkna sjálfkrafa eftir u.þ.b. eina klukkustund til að forðast truflun.

## 4.8 Aðvörun um háan hita

Hækkun á hitastigi í frystihólfinu (t.d. vegna þess að rafmagnið hefur farið af eða ef dyr eru opnar) virkjar viðvörun fyrir hátt hitastig. Ljósdíóðuvísirinn fyrir núverandi innstillt hitastig blikkar og hljóð heyrst.

Til að slökkva á hljóðinu skaltu ýta á takkann fyrir hitastig (ef hitastig hefur ekki náðst aftur á sama stig mun vísirinn halda áfram að blikka).

Ef hitastig næst aftur á sama stig og þú ýtir hitastigstakkann mun vísirinn fyrir hitastig hætta að blikka.

Ef þú ýtir ekki á hnappinn, slekkur hljóðið á sér sjálfkrafa eftir u.þ.b. eina klukkustund til að forðast truflun.

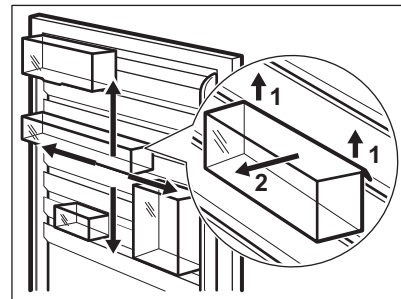
# 5. DAGLEG NOTKUN

## 5.1 Hurðarhillurnar staðsettar

Hurðin á þessu heimilistæki er búin rennum sem gera mögulegt að raða hillum/hólfum í samræmi við persónulegan smekk.

Til að endurstaðsetja hillur/hólf:

1. Lyftu hillunni/hólfinu smám saman í áttina sem örvarnar sýna þar til hún/það losnar.
2. Staðsettu hilluna/hólfid í þeirri stöðu sem þú vilt og komdu henni/því varlega fyrir í rennunni.

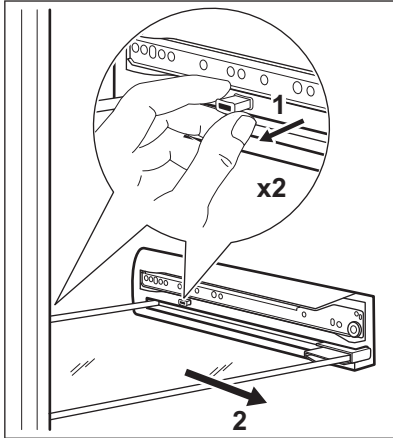


## 5.2 Glerhillur fjarlægðar

Þetta heimilistæki er búið glerhillum sem aðskilja skúffurnar.

Til að fjarlægja glerhillu:

1. Fjarlægðu aðliggjandi skúffur (sjá „Skúffur fjarlægðar“).
2. Dragðu læsingarpinna úr hillunum báðu megin (1).
3. Dragðu glerhilluna út (2).



Til að setja glerhilluna aftur í skaltu fylgja ofangreindum skrefum í öfugri röð.

#### ⚠ VARÚÐ!

Þegar þú ýtir læsingarpinninum inn skaltu ganga úr skugga um að þrýsta þeim alla leið á sinn stað.

### 5.3 Frysta fersk matvæli

Frystihólfíð hentar til þess að frysta fersk matvæli og geyma frosin og djúpfrosin matvæli til lengri tíma.

Til að frysta fersk matvæli skal virkja FastFreezeaðgerðina minnst 24 klukkustundur áður en maturinn sem á að frysta er settur í frystihólfíð.

Dreifð fersku matvælunum jafnt yfir sjöunda hólfíð eða skúffuna talið ofan frá.

Hámarks magn matvæla sem hægt er að frysta á sólarhring án þess að bæta við öðrum ferskum matvælum er tilgreint á merkiplötunni (merkingu sem staðsett er inni í heimilistækinu).

Að frystiferlinu loknu fer heimilistækið sjálfkrafa aftur í fyrri hitastillingu (sjá „FastFreezeaðgerðina“).

Til að fá frekari upplýsingar, sjá „Ábendingar um frystingu“.

### 5.4 Geymsla á frosnum matvælum

Þegar heimilistækið er virkjað í fyrsta sinn eða eftir notkunarhlé skal láta það ganga í minnst 3 klukkustundir áður en vörurnar eru settar í hólfíð með kveikt á FastFreeze aðgerðinni.

Frystiskúffurnar tryggja að það sé auðvelt og fljótlegt að finna matarpakkann sem vantar.

Geymið matinn ekki nær hurðinni en 15 mm.

#### ⚠ VARÚÐ!

Ef þiðnun verður fyrir slysi, til dæmis af því að rafmagnið fer af, og rafmagnsleysið hefur varað lengur en gildið sem sýnt er á merkiplötunni undir „hækkunartími“, þarf að neyta þíðna matarins fljótt eða elda hann strax, kæla og frysta hann svo aftur. Sjá „Aðvörun um háan hita“.

### 5.5 Þíðing

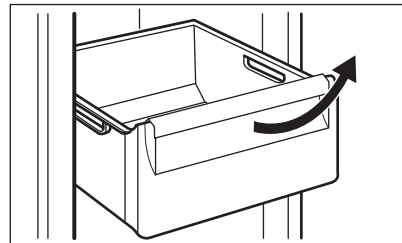
Djúpfrosinn eða frosinn mat er hægt að þíða í kælinum í eða í plastpoka undir köldu vatni, áður en maturinn er notaður.

Þessi aðgerð veltur á því hversu mikill tími er til boða og tegund matarins. Litla bita má jafnvel elda frosna.

### 5.6 Skúffur fjarlægðar

Til að fjarlægja skúffu úr hólfí:

1. Dragðu skúffuna út þangað til hún stöðvast.
2. Þegar komið er að endunum á rennunum skaltu lyfta framhluta skúffunar lítilega og fjarlægja hana úr heimilistækinu.





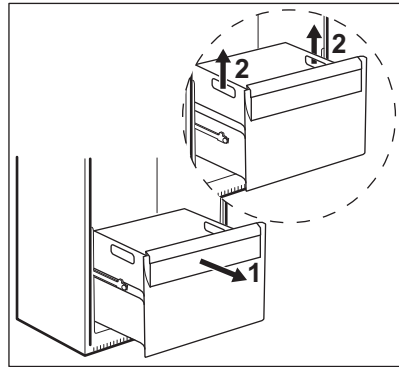
Til að setja skúffuna í hólfíð skaltu fylgja ofangreindum skrefum í öfugri röð.

## 5.7 Skúffur fjarlægðar

Stóra botnskúffan er búin útdraganlegum rennum sem teygja sig út fyrir heimilistækið.

Til að fjarlægja þessa skúffu:

1. Dragðu skúffuna út þangað til útdraganlegu rennurnar eru dregnar út að fullu.
2. Þegar skúffan nær að enda rennanna skaltu lyfta henni upp á handföngunum og losa hana frá rennunum.



Til að setja skúffuna aftur í:

1. Dragðu rennurnar út að fullu.
2. Settu skúffuna í á milli rennanna.
3. Festu skúffuna á útdraganlegu rennurnar.

## 6. ÁBENDINGAR OG GÓÐ RÁÐ

### 6.1 Ábendingar um orkusparnað

- Innri uppsetning heimilistækisins er það sem tryggir skilvirkustu notkun orku.
- Ekki opna hurðina oft eða hafa hana opna lengur en nauðsyn krefur.
- Því kaldari sem stillingin er, því meiri orku notar hún.
- Tryggðu gott loftflæði. Ekki hylja loftræstiristarnar eða götin.
- Gakktu úr skugga um að matvaran inn í heimilistækinu komi ekki í veg fyrir að loft geti flætt út um þar til gerð göt aftan á innanverðu heimilistækinu.


### 6.2 Ábendingar um frystingu

- Virkjaðu FastFreeze aðgerðina að minnsta kosti einum sólarhring áður en maturinn er látinn í frystihólfíð.
- Áður en ferskur matur er frystur skal setja hann í álpappír, plastfilmu eða poka, loftþétt ílát með loki.
- Til að fá skilvirkari frystingu og þiðingu ætti að skipta matvælunum í minni skammta.
- Mælt er með því að láta merkingar og dagsetningar á öll frosin matvæli. Það mun hjálpa þér að þekkja matvælin og vita hvenær þarf að nota þau áður en þau fara að spillast.
- Maturinn á að vera ferskur þegar hann er frystur til að varðveita gæðin. Sérstaklega

ætti að frysta ávexti og grænmeti eftir uppskeru til að varðveita öll næringarefni þeirra.

- Ekki frysta dósir eða flöskur með vökva, sérstaklega kolsýrða drykki - þær geta sprungið þegar þær eru frystar.
- Ekki láta heitan mat í frystihólfíð. Kældu niður að stofuhita áður en hann er látinn inn í hólfíð.
- Til að forðast hækkun hitastigs fyrir matvæli sem þegar voru frosin skal ekki setja fersk, ófrosin matvæli beint við hlið þeirra. Láttu matvæli við stofuhita í þann hluta frystihólfsins þar sem eru engin frosin matvæli.
- Ekki borða ísmola, vatnsís eða íspinna strax eftir að þeir hafa verið teknir úr frysti. Hætta er á kali.
- Ekki endurfrysta þiðin matvæli. Ef matvælin eru þiðin skaltu elda þau, kæla og frysta.

### 6.3 Ábendingar um geymslu á frosnum mat

- Frystihólfíð er það sem er merkt með .
- Góð hitastilling sem varðveitir frosna matvöru er  $-18^{\circ}\text{C}$  eða lægri.

Sé hærrí hiti stilltur fyrir heimilistækíð getur það leitt til styttri endingartíma fyrir vörurnar.

- Allt frystihólfíð hentar fyrir geymslu á frosnum vörum.
- Skildu eftir nægilegt pláss í kringum matvælin til að loft nái að flæða vel um þau.
- Fyrir fullnægjandi geymsluskilyrði, skal skoða fyrningardagsetninguna á matarumbúðum.
- Það er mikilvægt að pakka matvælunum þannig að vatn, raki og vatnsgufa komist ekki að þeim.

## 6.4 Innkaupaáþendingar

Eftir að hafa keypt í matinn:

- Gakktu úr skugga um að umbúðirnar séu ekki skaddaðar - maturinn gæti hafa

spillst. Ef umbúðirnar eru bólgnar eða blautar, getur verið að þær hafi ekki verið geymdar við réttar aðstæður og hafi þegar byrjað að þiðna.

- Til að takmarka þiðingu ætti að kaupa frosnar vörur í lok verslunarleiðangursins og flytja þær í kælitösku eða hitastillandi tösku.
- Settu frosnu matvælin samstundis í frystinn þegar þú snýrð aftur úr búðinni.
- Ef maturinn hefur þiðnað, jafnvel bara að hluta, skal ekki endurfrysta hann. Neyta skal matarins eins fljótt og hægt er.
- Virtu síðasta neysludag og geymsluupplýsingarnar sem finna má á umbúðum.

## 6.5 Endingartími

Tegund matvæla	Endingartími (mánuð-ir)
Brauð	3
Ávextir (fyrir utan sítrusávexti)	6 - 12
Grænmeti	8 - 10
Afgangar án kjöts	1 - 2
<b>Mjólkurvörur:</b>	
Smjör	6 - 9
Mjúkur ostur (t.d. mozzarella)	3 - 4
Harður ostur (t.d. parmesan, cheddar)	6
<b>Sjávarfang:</b>	
Feitur fiskur (t.d. lax, makrill)	2 - 3
Magur fiskur (t.d. þorskur, flundra)	4 - 6
Rækjur	12
Skelfiskur og kræklingur án skelja	3 - 4
Eldaður fiskur	1 - 2
<b>Kjöt:</b>	
Alifuglakjöt	9 - 12
Nautakjöt	6 - 12
Svínakjöt	4 - 6
Lambakjöt	6 - 9
Pylsur	1 - 2
Skinka	1 - 2
Afgangar með kjöti	2 - 3

## 7. UMHIRÐA OG HREINSUN

### **AÐVÖRUN!**

Sjá kafla um öryggismál.

### 7.1 Innra byrði hreinsað

Áður en heimilistækið er notað í fyrsta sinn, skal þvo innri og alla innri fylgihluti með volgu vatni og hlutlausri sápu til að losna við dæmigerða lykt af nýrri vöru og þurrka svo vandlega.

### **VARÚÐ!**

Ekki nota þvottaefni, slípiduft, klór eða olíublönduð hreinsiefni, þar sem það skemmir áferðina.

### **VARÚÐ!**

Aukahlutir og hlutar heimilistækisins eru ekki ætlaðir fyrir uppþvottavélar.

### 7.2 Reglubundin hreinsun

Hreinsa þarf búnaðinn reglulega:

1. Hreinsaðu innra byrðið og aukahluti með volgu vatni og hlutlausri sápu.
2. Skoðaðu hurðarþéttingar reglulega og strjúktu af þeim svo þær séu hreinar og lausar við óhreinindi.
3. Skolaðu og þurrkaðu vandlega.

### 7.3 Affrýsting frýstisins

Frýstihólfíð er hrímлаust. Það þýðir að ekkert hrím safnast upp þegar það er í notkun, hvorki á innri veggjum né á matvælunum.

### 7.4 Tímabundið ekki í notkun

Þegar heimilistækið er ekki í notkun til lengri tíma, skal grípa til eftirfarandi ráðstafana:

1. Aftengja tækið frá rafmagni.
2. Fjarlægja allan mat.
3. Hreinsa heimilistækið og alla aukahluti þess.
4. Hafa skal hurðina opna til að koma í veg fyrir vonda lykt.

## 8. BILANALET

### **AÐVÖRUN!**

Sjá kafla um öryggismál.

### 8.1 Hvað skal gera ef...

Vandamál	Möguleg ástæða	Lausn
Heimilistækið virkar ekki.	Slökkt er á heimilistækinu.	Kveiktu á heimilistækinu.
	Rafmagnsklói er ekki rétt tengd við rafmagnsinnstunguna.	Tengdu klóna við rafmagnsinnstunguna með réttum hætti.
	Það er ekkert rafmagn á rafmagnsinnstungunni.	Tengdu annað raftæki við rafmagnsinnstunguna. Hafðu samband við faglærðan rafvirkja.
Heimilistækið gefur frá sér mikinn hávaða.	Heimilistækið er ekki með réttan stuðning.	Kannaðu hvort heimilistækið sé stöðugt.
Heyranleg eða sjónræn aðvörun er í gangi.	Nýlega hefur verið kveikt á skápnunum.	Sjá „Aðvörun um háan hita“ eða „Aðvörun fyrir opna hurð“.

Vandamál	Möguleg ástæða	Lausn
	Hitastig heimilistækisins er of hátt.	Sjá „Aðvörun um háan hita“ eða „Aðvörun fyrir opna hurð“.
	Hurðin hefur verið skilin eftir opin.	Lokaðu hurðinni.
Þjappan gengur samfelt.	Hitastig er rangt stillt.	Sjá „Stjórnborð“ kaflann.
	Of mikið magn af matvöru er sett inn í einu.	Bíddu í nokkrar klukkustundir og athugaðu svo hitastigið aftur.
	Stofuhitinn er of hár.	Sjá „Uppsetning“ kaflann.
	Matvara sem látin er í heimilistækið er of heit.	Leyfðu matvörunni að kólna að stofuhita áður en hún er sett inn til geymslu.
	Hurðin er ekki nægilega vel lokuð.	Sjá „Hurðinni lokað“ hlutann.
	Kveikt er á FastFreeze aðgerðinni.	Sjá kaflann „FastFreeze Aðgerð“ .
Þjappan fer ekki strax í gang eftir að ýtt er á „FastFreeze“, eða eftir að hitastigi er breytt.	Þjappan ræsist eftir nokkurn tíma.	Þetta er eðlilegt, engin villa hefur komið upp.
Hurðin er skökk eða rekst í loftræst-iristina.	Tækið er ekki lárétt.	Sjá leiðbeiningar um uppsetningu.
Hurð opnast ekki auðveldlega.	Þú reyndir að opna hurðina aftur strax eftir að þú lokaðir henni.	Bíddu í að lágmarki 30 sekúndur á milli þess að loka og opna hurðina aftur.
Hliðarspjöld heimilistækisins eru heit.	Þetta er eðlilegt ástand sem verður vegna vinnu varmaskiptisins.	
Það er of mikið hrím og klaki.	Hurðin er ekki nægilega vel lokuð.	Sjá „Hurðinni lokað“ hlutann.
	Þéttiborðinn er afmyndaður eða óhr-einn.	Sjá „Hurðinni lokað“ hlutann.
	Matvælum er ekki rétt pakkað inn.	Pakkaðu matvælum rétt inn.
	Hitastig er rangt stillt.	Sjá „Stjórnborð“ kaflann.
	Heimilistækið er fullhlaðið og er stillt á lægsta hitastig.	Stilltu hærra hitastig. Sjá „Stjórnborð“ kaflann.
	Hitastigið sem stillt er á heimilistæk-inu er of lágt og umhverfishitastig er of hátt.	Stilltu hærra hitastig. Sjá „Stjórnborð“ kaflann.
Vatn flæðir á gólfinu.	Vatnsbræðsluúttakið er ekki tengt við uppgefubakkann fyrir ofan þjöppuna.	Tengdu vatnsbræðsluúttakið við uppgefubakkann.
Ekki er hægt að stilla hitastigið.	Kveikt er á FastFreeze aðgerð.	Slökktu handvirkt á FastFreeze aðgerð, eða bíddu þar til hún afvirkjast sjálfkrafa. Sjá kaflana „FastFreeze Aðgerð“.
Hitastig heimilistækisins er of lágt/ hátt.	Hitastigið er ekki rétt stillt.	Stilltu hitastigið hærra/lægra.
	Hurðin er ekki nægilega vel lokuð.	Sjá „Hurðinni lokað“ hlutann.

Vandamál	Möguleg ástæða	Lausn
	Matvælin eru of heit.	Láttu matvöruna kólna fyrir geymslu.
	Of mikið af matvöru er geymd í einu.	Geymdu minna af matvöru í einu.
	Hurðin hefur verið opnuð of oft.	Opnaðu hurðina aðeins ef nauðsyn krefur.
	Kveikt er á FastFreeze aðgerðinni.	Sjá kaflann „FastFreeze Aðgerð“ .
	Það er ekkert kalt loffflæði í heimilistækinu.	Gakktu úr skugga um að það sé kalt loffflæði í heimilistækinu. Sjá kaflann „Ábendingar og góð ráð“.
Ljósdióður fyrir hitastillinguna leifra á sama tíma.	Villa hefur komið upp við hitamælingu.	Hafðu samband við viðurkennda þjónustumiðstöð. Kælikerfið mun halda áfram að halda matvöru kaldri, en aðlögun hitastigs verður ekki möguleg.



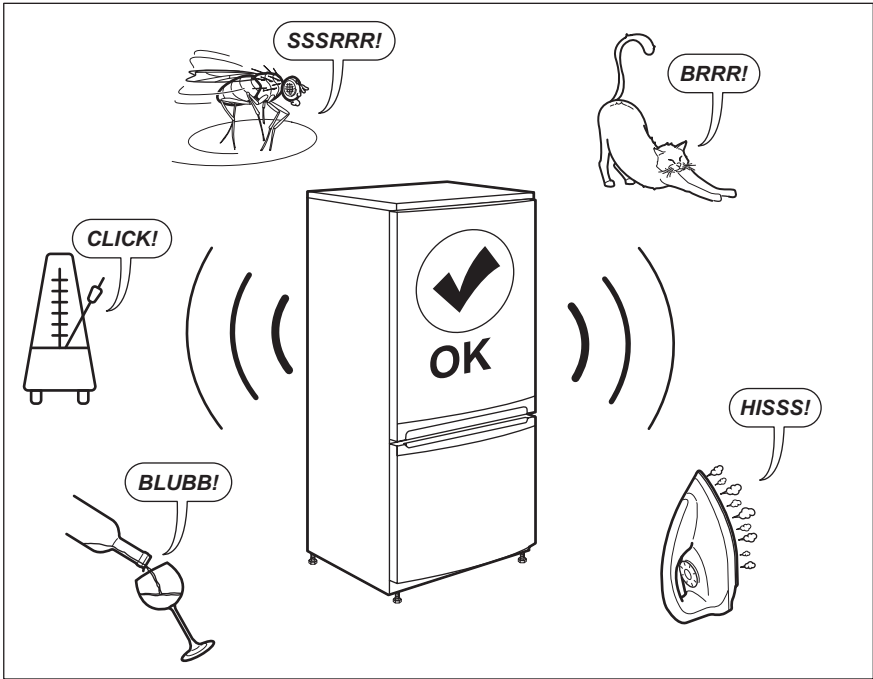
Ef vandamálið hverfur ekki skaltu hafa samband við viðurkennda þjónustumiðstöð.

## 8.2 Hurðinni lokað

1. Þrífið þéttborða hurðarinnar.

2. Stillið af hurðina ef nauðsynlegt er. Sjá leiðbeiningar um uppsetningu.
3. Ef nauðsynlegt reynist, skal skipta um ónýta þéttborða. Hafið samband við viðurkennda þjónustumiðstöð.

## 9. HÁVAÐI



## 10. TÆKNILEGAR UPPLÝSINGAR

Tæknilegar upplýsingar eru á merkiplötunni, á ytri eða innri hlið heimilistækisins og á orkumerkimiðanum.

QR-kóðinn á orkumerkingunni sem fylgir þessu tæki, gefur upp tengil á vefsíðu varðandi upplýsingar um frammistöðu tækisins í gagnagrunni EU EPREL. Geymdu orkumerkimiðann til uppflettingar ásamt notandahandbókinni og öllum öðrum skjölum sem fylgja með þessu heimilistæki.

Það er einnig mögulegt að nálgast sömu upplýsingar í EPREL með því að nota tengilinn: <https://eprel.ec.europa.eu> og gerðarheiti og framleiðslunúmer sem finna má á merkiplötu heimilistækisins.

Skoðaðu tengilinn [www.theenergylabel.eu](http://www.theenergylabel.eu) varðandi ítarlegar upplýsingar um orkumerkingar.


## 11. UPPLÝSINGAR FYRIR PRÓFUNARSTOFNANIR


Uppsetning og undirbúningur heimilistækisins fyrir EcoDesign-vottun verður að samræmast EN 62552 (EU). Loftræstingarkröfur, stærðir skotsins og lágmarksbil að aftan verður að

vera eins og tilgreint er í „Uppsetning“ í þessari notandahandbók. Hafðu samband við framleiðanda fyrir allar frekari upplýsingar, þar með talið hleðsluáætlanir.



## 12. UMHVERFISMÁL

Endurvinnna þarf öll efni merkt táknuinu . Setjið umbúðirnar í viðeigandi sorpílát til endurvinnslu. Leggið ykkar að mörkum til verndar umhverfinu og heilsu manna og dýra og endurvinnið rusl sem fylgir raftækjum og rafrænum búnaði. Hendið ekki

heimilistækjum sem merkt eru með táknuinu  í venjulegt heimilirusl. Farið með vöruna í næstu endurvinnslustöð eða hafið samband við sveitarfélagið.





**electrolux.com**

212003957-A-252024



**CE**